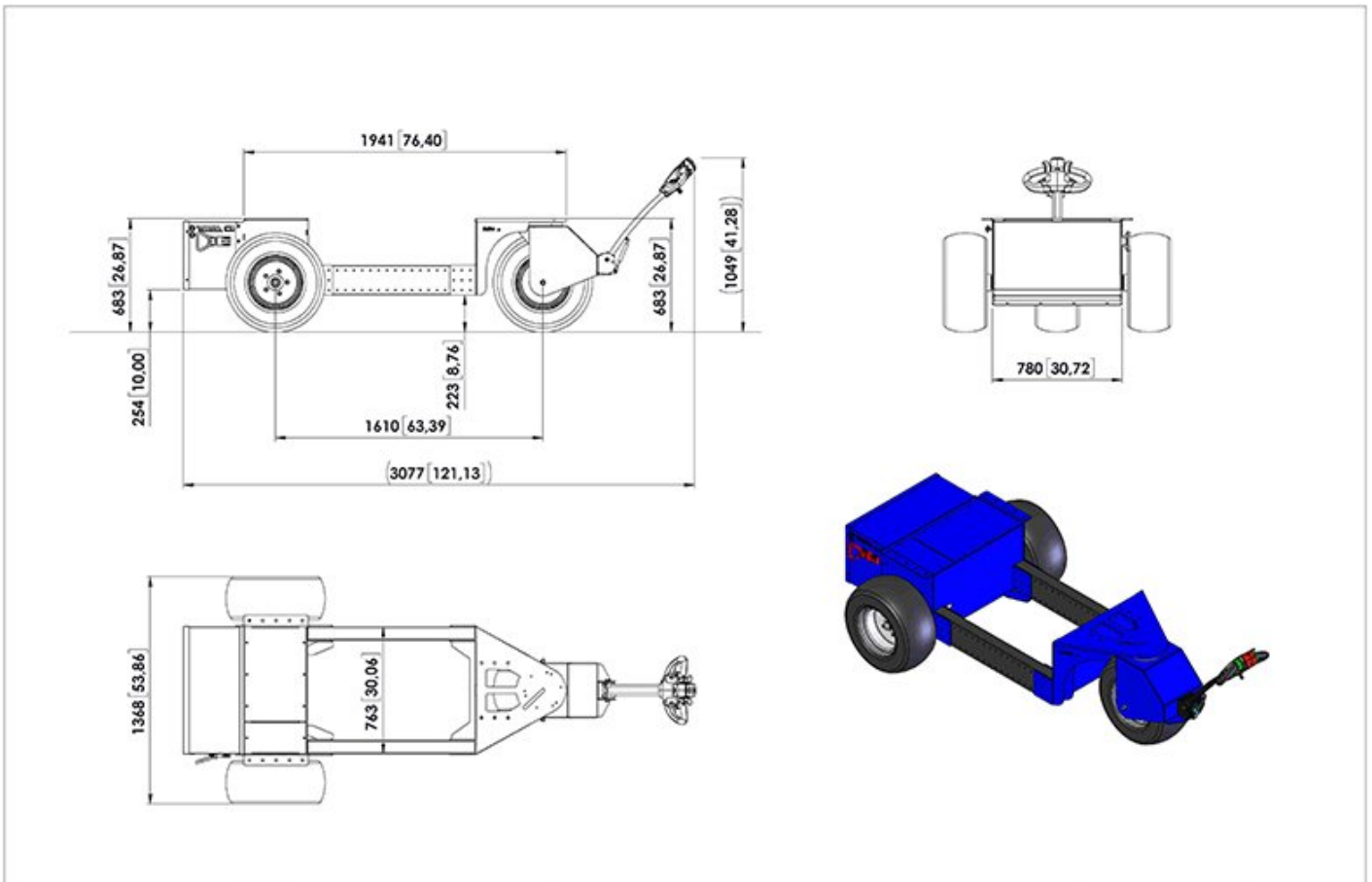




Z219.720===

Technical drawing



| | | | | |
|--|-------------------------------|------------------|--------------------|-------------|
| | <p>TABLE: Z219.720</p> | <p>R9</p> | <p>mm / [inch]</p> | <p>1:20</p> |
|--|-------------------------------|------------------|--------------------|-------------|

Technical data

1. Characteristics

| Réf.no. | Description | U.M. | Valeur |
|---------|------------------|------|------------|
| 1.01 | Model number | | Z219.720 |
| 1.02 | Model name | | R9 |
| 1.03 | Manufacturer | | ZALLYS srl |
| 1.04 | Operator | | Pedestrian |
| 1.05 | Power unit | | Electric |
| 1.07 | CE certification | | |
| 1.08 | Plant tension | V | 24 |
| 1.09 | Nominal power | kW | 2,50 |

1. Frame characteristics

| Réf.no. | Description | U.M. | Valeur |
|---------|--|------|--------------------------|
| 1.80 | Frame made of | | Steel |
| 1.82 | Anti-Corrosion Treatment (on customer demand only) | | Zinc primer |
| 1.83 | Frame treatment | | Polyester powder coating |

2. Safety data

| Réf.no. | Description | U.M. | Valeur |
|---------|--|------------------|----------------------------|
| 2.01 | Dead man safety system | | Sensor on tiller head |
| 2.02 | Emergency reverse button | | On tiller head |
| 2.04 | Creep speed device | | Button on tillerhead |
| 2.06 | Power supply disconnection device / Emergency stop | | Detachable power connector |
| 2.10 | Acoustic signaling | | Beeper |
| 2.11 | Drive controls | | Maintained action switch |
| 2.20 | Handarm vibration | m/s ² | <2,5 |
| 2.22 | Noise level at operator's ears | dB | <70 |

3. Performances

| Réf.no. | Description | U.M. | Valeur |
|---------|---------------------|------|--------|
| 3.01 | Max. forward speed | km/h | 5,0 |
| 3.02 | Max. backward speed | km/h | |

| Réf.no. | Description | U.M. | Valeur |
|---------|---|------|--------|
| 3.07 | Max.load capacity on flat ground | kg | 1.000 |
| 3.12 | Max. towing capacity on wheels ** | kg | 10.000 |
| 3.19 | Max.slope with load * | % | 15 |
| 3.27 | Max towing force at hook ** | N | 3700 |
| 3.28 | Stopping distance in deceleration (without load) | m | 1,60 |
| 3.31 | * Load capacity is subject to kind of slope , kind of floor and operating time | | |
| 3.33 | ** While the force expressed in N at the hook remains unchanged, the following circumstances may affect the towing capacity expressed in KG : type of ground on which the towing is performed, the use (or not) of ballasts and type of wheels mounted on the vehicle and on the trailer | | |

4. Drive controls

| Réf.no. | Description | U.M. | Valeur |
|---------|-----------------------|------|---|
| 4.01 | Type of control | | Tillerhead |
| 4.02 | Type of start control | | Butterfly lever |
| 4.04 | Speed control | | 5 speed button assembled on the tiller head |

5. Standard battery specifications

| Réf.no. | Description | U.M. | Valeur |
|---------|------------------------|------|------------------------|
| 5.01 | Batteries | | 4 |
| 5.02 | Batteries type | | Traction GEL batteries |
| 5.03 | Battery voltage | V | 6 |
| 5.04 | Nominal Capacity 5 h | Ah | 250 |
| 5.05 | Nominal Capacity 20 h | Ah | 335 |
| 5.06 | Weight of each battery | kg | 50 |

6. Available chargers

| Réf.no. | Description | U.M. | Valeur |
|---------|------------------|------|--------------------------------------|
| 6.40 | Standard voltage | V | 220/240 |
| 6.41 | Multitension | V | 110/240 |
| 6.42 | Plug | | In use in the country of destination |

6. Technical data of standard charger

| Réf.no. | Description | U.M. | Valeur |
|---------|--|------|---------------------------|
| 6.01 | Battery charger | | External - high frequency |
| 6.02 | Input voltage | V | 230 |
| 6.03 | Input Frequency | Hz | 50-60 |
| 6.05 | Battery charger capacity | Ah | 30 |
| 6.06 | Power consumption during complete charge cycle | kWh | 7 |
| 6.07 | Operating temperature | °C | -20 / +40 |
| 6.08 | Operation display | | Led |
| 6.09 | Input fuse | A | 16 |
| 6.10 | Cooling system | | Ventilation cooling |
| 6.11 | IP degrees of protection | | IP20 |
| 6.12.1 | Width | mm | |
| 6.12.2 | Length | mm | 290 |
| 6.12.3 | Height | mm | 85 |

7. Drive motor

| Réf.no. | Description | U.M. | Valeur |
|---------|--------------------|------|---------------------|
| 7.02 | Motor code no. | | M563.700 |
| 7.03 | Engine | | Electric |
| 7.04 | Electricity | | Alternating current |
| 7.05 | Engine voltage | V | 24 |
| 7.06 | Rating (S2 - 5') | kW | 2,50 |
| 7.15 | Maximum peak power | kW | 3,00 |

8. Technical data

| Réf.no. | Description | U.M. | Valeur |
|---------|--------------------------|------|--------------------|
| 8.01 | Transmission system | | Mechanical |
| 8.02 | Transmission lubrication | | In oil bath |
| 8.03 | Gear reduction | | 1:55 |
| 8.04 | Kind of oil | | 80W-90 |
| 8.06 | Service brake | | Electronic |
| 8.08 | Parking brake | | Electro-Mechanical |

9. Weight

| Réf.no. | Description | U.M. | Valeur |
|---------|-------------------------------------|------|--------|
| 9.01 | Weight without batteries | kg | 405 |
| 9.14 | Weight incl. 250/335A AGM batteries | kg | 605 |

10. Dimensions

| Réf.no. | Description | U.M. | Valeur |
|---------|---|------|----------|
| 10.01 | Length | mm | 3.077,00 |
| 10.02 | Width | mm | 1.368,00 |
| 10.03 | Height of start control | mm | 1.049,00 |
| 10.08 | Loading platform height | mm | 683,00 |
| 10.14 | Wheelbase | mm | 1.610,00 |
| 10.50 | **For further details please click on technical draws | | |

11. Standard wheels

| Réf.no. | Description | U.M. | Valeur |
|---------|--------------------|------|-------------|
| 11.01 | Drive wheels | | 2 |
| 11.02 | Steering wheels | | 1 |
| 11.05 | Tyres | | Pneumatic |
| 11.06 | Type of tyres | | Turf tires |
| 11.13 | Drive tyres size | | 23-10.50-12 |
| 11.25 | Inflation pressure | bar | 1.2 / 1.6 |