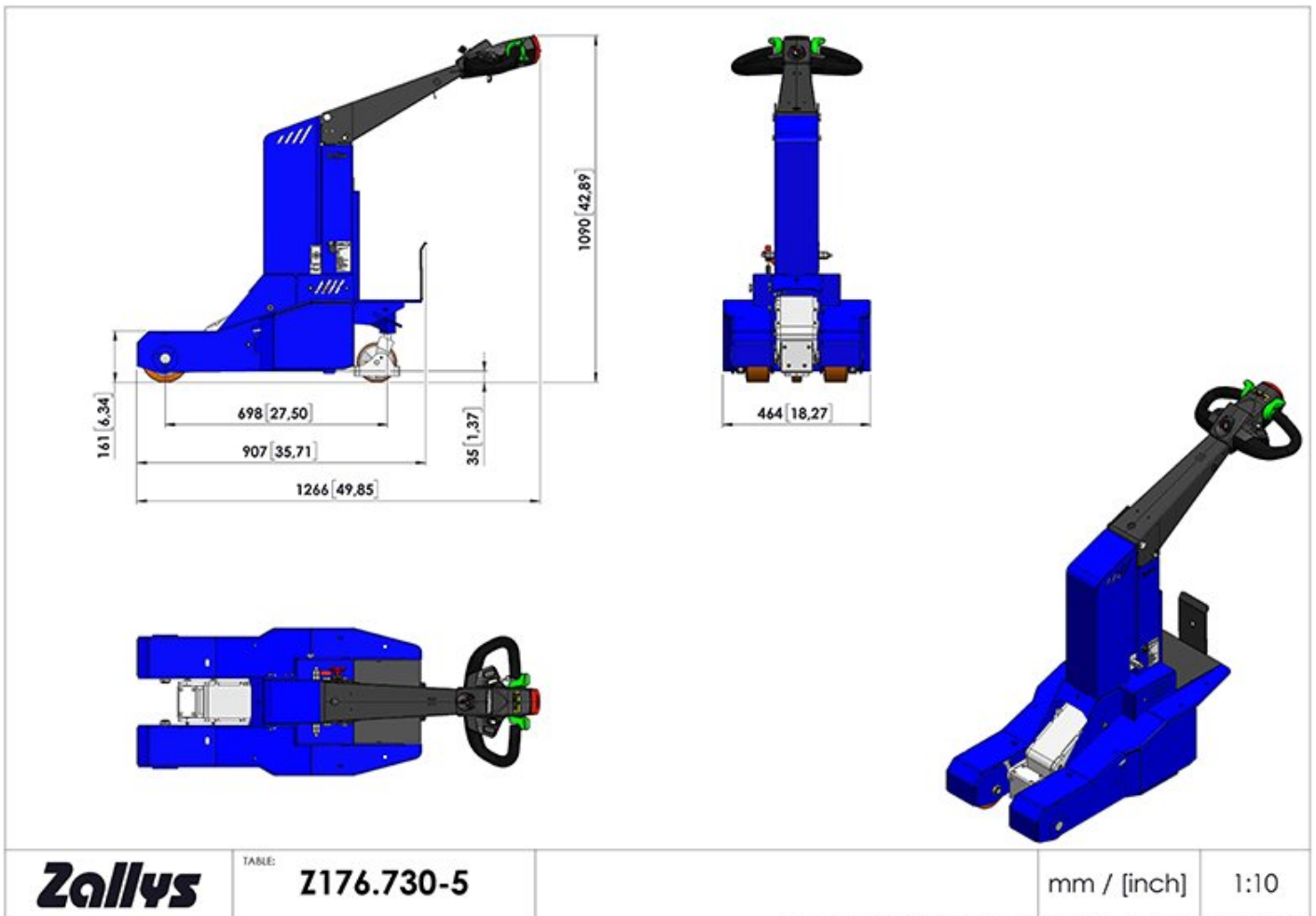


Z176.730-5===

Technical drawing



Technical data

1. Characteristics

Réf.no.	Description	U.M.	Valeur
1.01	Model number		Z176.700-1
1.02	Model name		M16 (S)
1.03	Manufacturer		ZALLYS
1.04	Operator		Pedestrian
1.05	Power unit		Electric
1.07	CE certification		
1.08	Plant tension	V	24
1.09	Nominal power	kW	0,40

1. Frame characteristics

Réf.no.	Description	U.M.	Valeur
1.80	Frame made of		Steel
1.81	Basic process		Sandblasting
1.83	Frame treatment		Polyester powder coating

2. Safety data

Réf.no.	Description	U.M.	Valeur
2.02	Emergency reverse button		On tiller head
2.06	Power supply disconnection device / Emergency stop		Detachable power connector
2.10	Acoustic signaling		Beeper
2.11	Drive controls		Maintained action switch
2.15	Wheels		Wheels protection
2.20	Handarm vibration	m/s ²	<2,5
2.22	Noise level at operator's ears	dB	<70

3. Performances

Réf.no.	Description	U.M.	Valeur
3.01	Max. forward speed	km/h	4,0
3.02	Max. backward speed	km/h	4,0
3.11	Max. lifting capacity	kg	1.800

Réf.no.	Description	U.M.	Valeur
3.12	Max. towing capacity on wheels **	kg	6.000
3.27	Max towing force at hook **	N	1100
3.28	Stopping distance in deceleration (without load)	m	1
3.31	* Load capacity is subject to kind of slope , kind of floor and operating time		
3.33	** While the force expressed in N at the hook remains unchanged, the following circumstances may affect the towing capacity expressed in KG : type of ground on which the towing is performed, the use (or not) of ballasts and type of wheels mounted on the vehicle and on the trailer		

3. Technical data of hydraulic tilting system

Réf.no.	Description	U.M.	Valeur
3.80	System voltage	V	24
3.81	System pressure	bar	125,00
3.82	Oil type		ISO VG 46
3.83	Oil quantity	l	2,50

4. Drive controls

Réf.no.	Description	U.M.	Valeur
4.01	Type of control		Tillerhead
4.02	Type of start control		Butterfly lever
4.04	Speed control		5 speed button assembled on the tiller head
4.05	Lifting system operated by		Lever switch

5. Optional battery specifications

Réf.no.	Description	U.M.	Valeur
5.11	Batteries pcs		2
5.12	Batteries type		Traction AGM batteries
5.13	Battery voltage	V	12
5.14	Nominal Capacity 5/h	Ah	35
5.15	Nominal Capacity 20/h	Ah	45
5.16	Weight of each battery	kg	14
5.20	Weight of battery pack	kg	37

5. Optional battery specifications

Réf.no.	Description	U.M.	Valeur
5.21	Batteries		1
5.22	Batteries type		Traction - Lithium
5.23	Battery voltage	V	24
5.24	Nominal Capacity k5	Ah	40
5.26	Weight of each battery	kg	12
5.30	Weight of battery pack	kg	13

6. Available chargers

Réf.no.	Description	U.M.	Valeur
6.40	Standard voltage	V	220/240
6.41	Multitension	V	110/240
6.42	Plug		In use in the country of destination

6. Technical data of standard charger

Réf.no.	Description	U.M.	Valeur
6.01	Battery charger		External - high frequency
6.02	Input voltage	V	230
6.03	Input Frequency	Hz	50-60
6.05	Battery charger capacity	Ah	20
6.06	Power consumption during complete charge cycle	kWh	1
6.07	Operating temperature	°C	-20 / +40
6.08	Operation display		Led
6.09	Input fuse	A	5
6.10	Cooling system		Ventilation cooling
6.11	IP degrees of protection		IP20
6.12.1	Width	mm	95
6.12.2	Length	mm	185
6.12.3	Height	mm	55

6. Optional charger specifications

Réf.no.	Description	U.M.	Valeur
6.14	Charger suitable for AGM batteries of	A	35/45
6.15	Battery Charger Capacity	Ah	4
6.18	Power consumption during complete charge cycle	kWh	1
6.19	**for all other details please refer to standard charger specifications		

7. Drive motor

Réf.no.	Description	U.M.	Valeur
7.03	Engine		Electric
7.05	Engine voltage	V	24
7.06	Rating (S2 - 5')	kW	0,4
7.15	Maximum peak power	kW	1,6

8. Technical data

Réf.no.	Description	U.M.	Valeur
8.01	Transmission system		Mechanical + Chain
8.02	Transmission lubrication		In oil bath
8.06	Service brake		Electronic
8.08	Parking brake		Electro-Mechanical
8.22	Lifting system operated by		Manual

9. Weight

Réf.no.	Description	U.M.	Valeur
9.01	Weight without batteries	kg	142
9.05	Weight incl. 37/45A AGM batteries	kg	179
9.16	Weight incl. 40A Lithium battery	kg	163

10. Dimensions

Réf.no.	Description	U.M.	Valeur
10.14	Wheelbase	mm	698,00

11. Standard wheels

Réf.no.	Description	U.M.	Valeur
11.01	Drive wheels		2
11.03	Pivoting wheels no.		2
11.05	Tyres		Polyurethane (oil resistant)
11.16	Pivoting wheel size		125 X 2