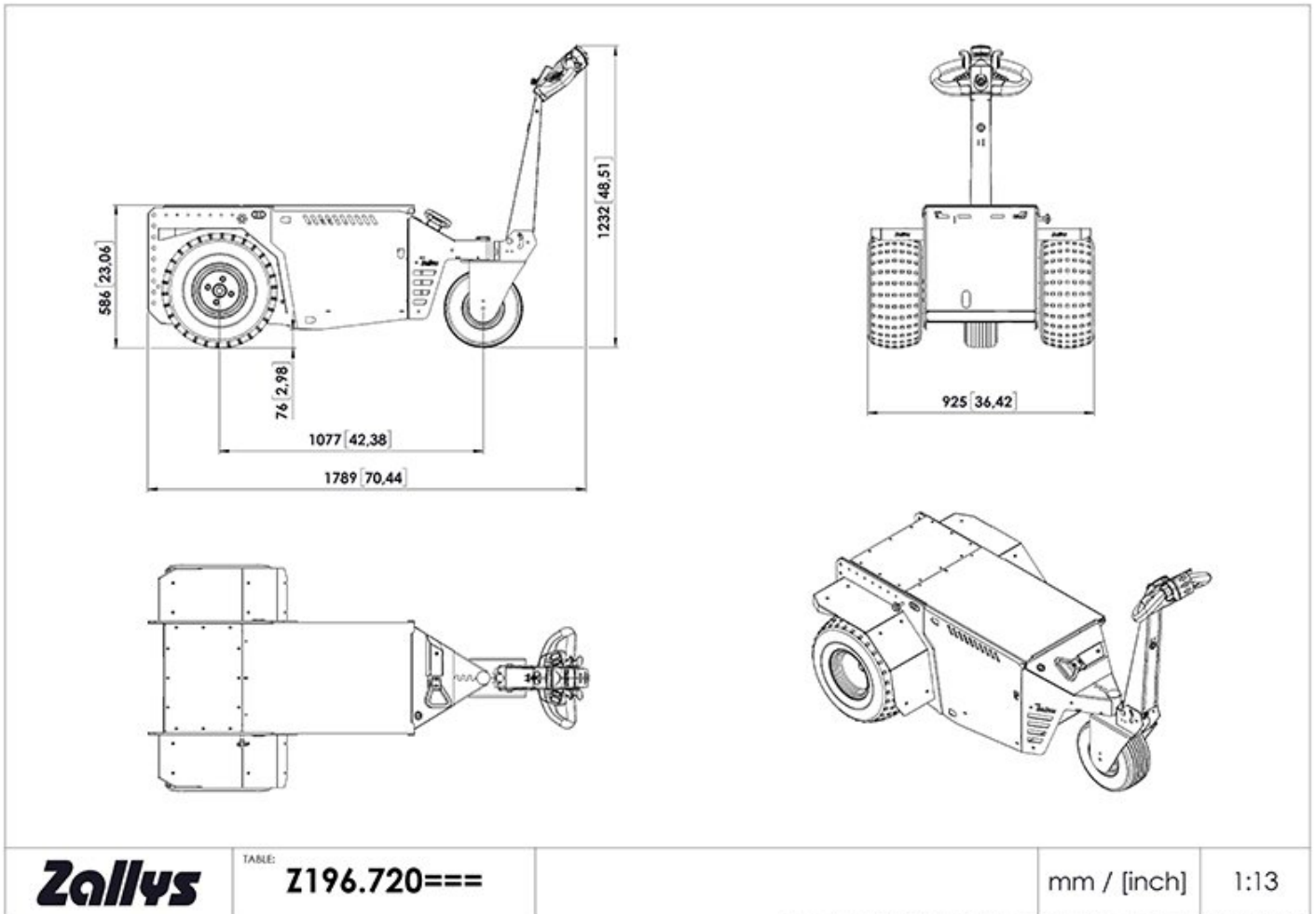


Z196.720===

Technical drawing



Technical data

1. Characteristics

Réf.no.	Description	U.M.	Valeur
1.01	Model number		Z196.720
1.02	Model name		M10
1.03	Manufacturer		ZALLYYS
1.04	Operator		Pedestrian
1.05	Power unit		Electric
1.07	CE certification		
1.08	Plant tension	V	24
1.09	Nominal power	kW	2,50

1. Frame characteristics

Réf.no.	Description	U.M.	Valeur
1.80	Frame made of		Steel
1.82	Anti-Corrosion Treatment (on customer demand only)		Cataphoresis
1.83	Frame treatment		Polyester powder coating

2. Safety data

Réf.no.	Description	U.M.	Valeur
2.01	Dead man safety system		Sensor on tiller head
2.02	Emergency reverse button		On tiller head
2.04	Creep speed device		Button on tillerhead
2.06	Power supply disconnection device / Emergency stop		Detachable power connector
2.09	Audible reverse beeper		beeper
2.10	Acoustic signaling		Beeper
2.11	Drive controls		Maintained action switch
2.20	Handarm vibration	m/s ²	<2,5
2.22	Noise level at operator's ears	dB	<70

3. Performances

Réf.no.	Description	U.M.	Valeur
3.01	Max. forward speed	km/h	5,0

Réf.no.	Description	U.M.	Valeur
3.02	Max. backward speed	km/h	5,0
3.07	Max.load capacity on flat ground	kg	500
3.12.01	Max. towing capacity on wheels (standard version) **	kg	10.000
3.12.02	Max. towing capacity on wheels (with upgrade) **	kg	15.000
3.15.01	Max. towing capacity on Rails (standard version) **	kg	40.000
3.15.02	Max. towing capacity on Rails (with upgrade) **	kg	60.000
3.19	Max.slope with load *	%	15
3.27	Max towing force at hook **	N	3800
3.28	Stopping distance in deceleration (without load)	m	1,1
3.31	* Load capacity is subject to kind of slope , kind of floor and operating time		
3.33	** While the force expressed in N at the hook remains unchanged, the following circumstances may affect the towing capacity expressed in KG : type of ground on which the towing is performed, the use (or not) of ballasts and type of wheels mounted on the vehicle and on the trailer		

4. Drive controls

Réf.no.	Description	U.M.	Valeur
4.01	Type of control		Tillerhead
4.02	Type of start control		Butterfly lever
4.04	Speed control		5 speed button assembled on the tiller head

5. Standard battery specifications

Réf.no.	Description	U.M.	Valeur
5.01	Batteries		4
5.02	Batteries type		Traction AGM batteries
5.03	Battery voltage	V	6
5.04	Nominal Capacity 5 h	Ah	250
5.05	Nominal Capacity 20 h	Ah	335
5.06	Weight of each battery	kg	50

6. Available chargers

Réf.no.	Description	U.M.	Valeur
6.40	Standard voltage	V	220/240
6.41	Multitension	V	110/240
6.42	Plug		In use in the country of destination

6. Technical data of standard charger

Réf.no.	Description	U.M.	Valeur
6.01	Battery charger		External - high frequency
6.02	Input voltage	V	230
6.03	Input Frequency	Hz	50-60
6.05	Battery charger capacity	Ah	30
6.06	Power consumption during complete charge cycle	kWh	7
6.07	Operating temperature	°C	-20 / +40
6.08	Operation display		Led
6.09	Input fuse	A	16
6.10	Cooling system		Ventilation cooling
6.11	IP degrees of protection		IP20
6.12.1	Width	mm	145
6.12.2	Length	mm	290
6.12.3	Height	mm	85

7. Drive motor

Réf.no.	Description	U.M.	Valeur
7.02	Motor code no.		M563.700
7.03	Engine		Electric
7.04	Electricity		Alternating current
7.05	Engine voltage	V	24
7.06	Rating (S2 - 5')	kW	2,50
7.15	Maximum peak power	kW	3,00

8. Technical data

Réf.no.	Description	U.M.	Valeur
8.01	Transmission system		Mechanical
8.02	Transmission lubrication		In oil bath
8.03	Gear reduction		1:55
8.04	Kind of oil		80W-90
8.06	Service brake		Electronic
8.08	Parking brake		Electro-Mechanical

9. Weight

Réf.no.	Description	U.M.	Valeur
9.01	Weight without batteries	kg	209

Réf.no.	Description	U.M.	Valeur
9.14	Weight incl. 250/335A AGM batteries	kg	409

10. Dimensions

Réf.no.	Description	U.M.	Valeur
10.01	Length	mm	1.789,00
10.02	Width	mm	925,00
10.03	Height of start control	mm	1.232,00
10.08	Loading platform height	mm	586,00
10.14	Wheelbase	mm	1.077,00
10.15	Turning circle	mm	2.510,00
10.50	**For further details please click on technical draws		

11. Standard wheels

Réf.no.	Description	U.M.	Valeur
11.01	Drive wheels		2
11.02	Steering wheels		1
11.05	Tyres		Pneumatic
11.13	Drive tyres size		18-9.50-8"
11.15	Steering wheel size		13-5.00-6"
11.25	Inflation pressure	bar	1.2 / 1.6

11. Optional wheels

Réf.no.	Description	U.M.	Valeur
11.30	Tyres		Super-elastic
11.37	Drive tyres size		200/50-10"
11.39	Steering wheel size		4.00-4"